

Verteiler + Schutzkappen

	Seite
Übersicht Verteiler	90 - 91
A-Verteiler	92
T-Verteiler	93 - 95
T-Spezialverteiler	96
Y-Verteiler	97 - 98
V-Verteiler	99
M-Verteiler	100
Übersicht Schutzkappen	101
Schutzkappen NEU	102 - 106
Winkelstück NEU	106

Manifolds + Connector Interfaces

	page
Overview Manifolds	90 - 91
A-manifolds	92
T-manifolds	93 - 95
T-Special Manifolds	96
Y-manifolds	97 - 98
V-manifolds	99
M-manifolds	100
Overview Connector interfaces	101
Connector interfaces NEU	102 - 106
Angle piece NEU	106

Übersicht Verteiler/Overview Manifolds

Außengreifende Verteiler/outside gripping Manifolds

A-Verteiler/A-Manifold

Bügelverschluss / clamp-lock

Form A



Bügelverschluss / clamp-lock

Form B



T-Verteiler/T-Manifold

Schnappverschluss / snap-lock

Form A



Bügelverschluss / clamp-lock

Form C



Bügelverschluss / clamp-lock

Form B



Bügelverschluss / clamp-lock

Form D



V-Verteiler/V-Manifold

Schnappverschluss / snap-lock

Form A



Bügelverschluss / clamp-lock

Form B



Y-Verteiler/Y-Manifold

Schnappverschluss / snap-lock

Form A



Bügelverschluss / clamp-lock

Form C



Schnappverschluss / snap-lock

Form B



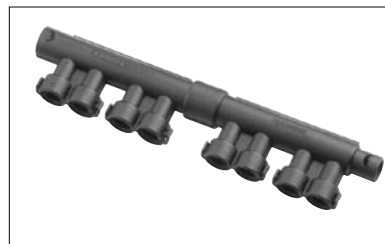
Bügelverschluss / clamp-lock

Form D



M-Verteiler/M-Manifold

Bügelverschluss / clamp-lock



Übersicht Verteiler/Overview Manifolds

Innengreifende Verteiler/Inside gripping Manifolds

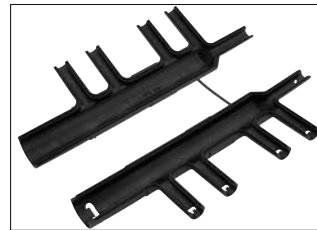
Nur für ungeschlitzte Welschläuche verwendbar / Only applicable with unslit corrugated tubes

T-Verteiler/T-Manifold

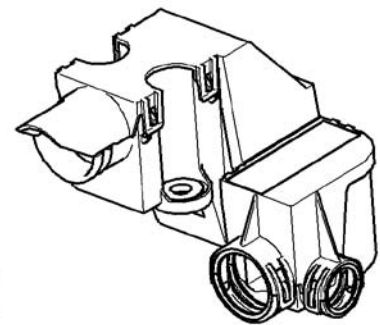
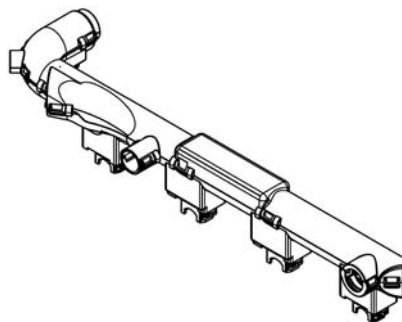
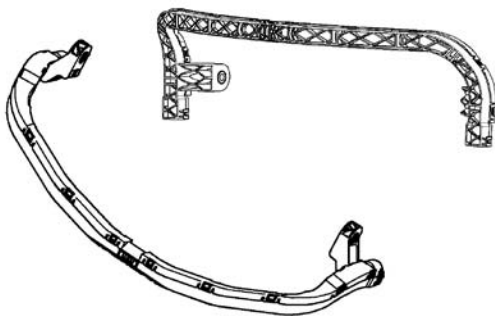
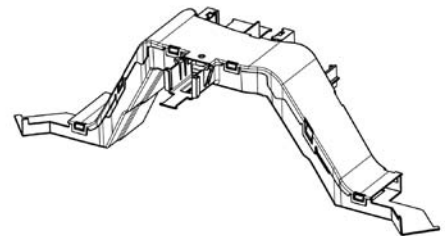
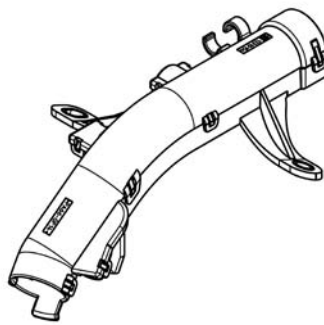
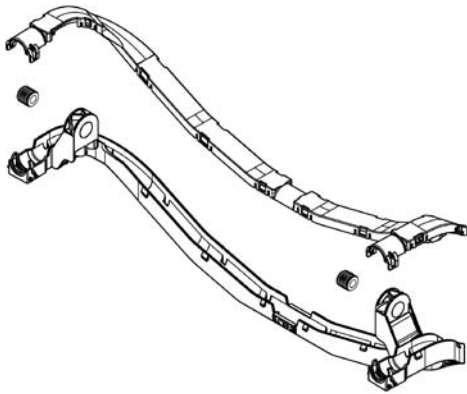
mit Schnappverschluss/with snap-lock



M-Verteiler/M-Manifold



Kundenspezifische Kabelkanäle/Customized Cable Ducts



2.3

A-Verteiler

A-Manifolds

RoHS

Material:
Polyamid 66
Polyamid 46 auf Anfrage

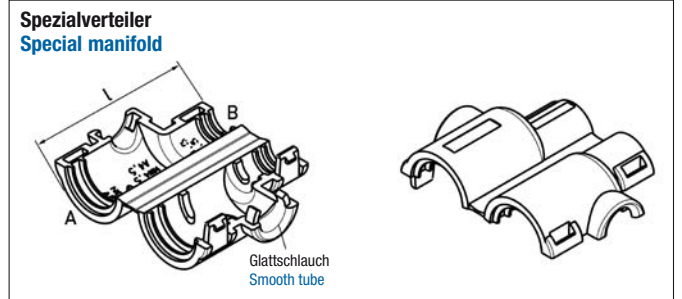
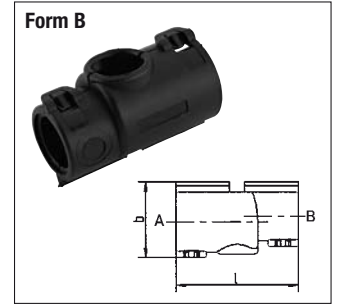
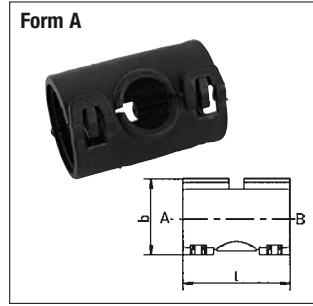
Temperaturbereich:
-40°C bis 135°C
500 h: -40°C bis 150°C

Farbe(n)/Ausführungen:
• Schwarz

Material:
Polyamide 66
Polyamide 46 on request

Temperature range:
-40°C to 135°C
500 h: -40°C to 150°C

Colour(s)/Designs:
• Black



Form	außen-greifend	Bügel-verschluss	Well-schlauch-anschlag innen	passend für Well-schlauch-Profil NW (A-B) Normal +UFW	AHW	selbst-schließend L-Profil	verschießbar V-Profil	b mm	l mm	Art.-Nr.	VE Stck.
Form	outside gripping	Clamp lock	stop ridge for corrugated tube inside	suitable for corrugated tube profile NW (A-B) normal +UFW	AHW	self closing L-Profile	lockable V-Profile	b mm	l mm	Art. no.	PU pcs.
A	✓	✓	✓	4,5	4,5	4,5		14,4	26,0	9810045	2000
A	✓	✓	✓	7,5	6	7,5		17,2	26,0	9810075	1000
A	✓	✓	✓	10	8,5	10	8,5	20,2	27,9	9810100	1000
A	✓	✓	✓	13	11	13	11	23,1	29,5	9810130	1000
A	✓	✓	✓	17	15		15	28,4	29,5	9810170	1000
A	✓	✓	✓	22	19		19	32,9	29,5	9810220	1500
A	✓	✓	✓	26	26		26	38,8	29,5	9810260	500
B	✓	✓		7,5 - 4,5	6 - 4,5	7,5 - 4,5		17,2	28,0	9810375	1000
B	✓	✓		10 - 7,5	8,5 - 6	10 - 7,5		20,2	32,0	9810400	1000
B	✓	✓		13 - 10	11 - 8,5	13 - 10	11 - 8,5	23,1	35,5	9810430	1000
B	✓	✓		17 - 13	15 - 11		15 - 11	28,4	39,5	9810470	1000
B	✓	✓		22 - 17	19 - 15		19 - 15	32,9	39,5	9810520	500
B	✓	✓		26 - 22	26 - 19		26 - 19	38,8	39,5	9810560	500
Spezial Special	✓	✓	✓	10 - 4,5		10 - 4,5			32,0	9810110	1000

2.3

T-Verteiler

T-Manifolds

RoHS

Material:
Polyamid 66
Polyamid 46 auf Anfrage

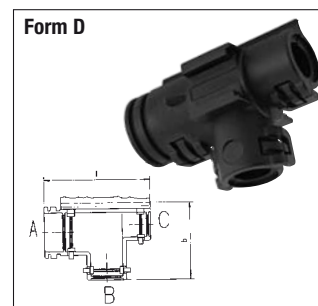
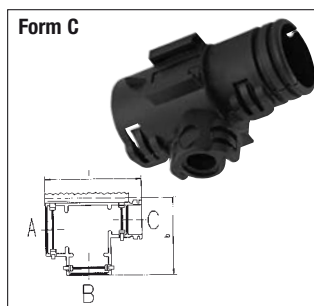
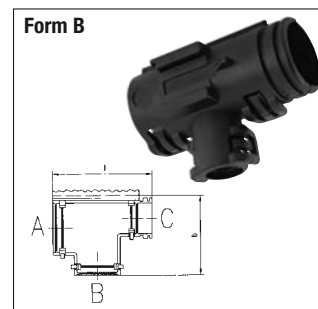
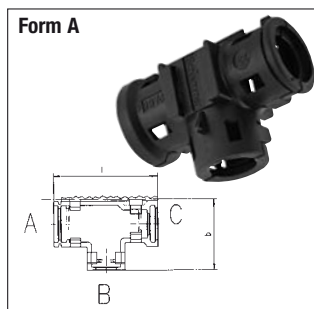
Temperaturbereich:
-40°C bis 135°C
500 h: -40°C bis 150°C

Farbe(n)/Ausführungen:
• Schwarz

Material:
Polyamide 66
Polyamide 46 on request

Temperature range:
-40°C to 135°C
500 h: -40°C to 150°C

Colour(s)/Designs:
• Black



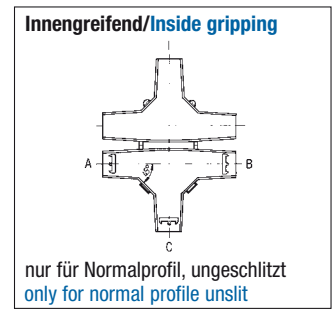
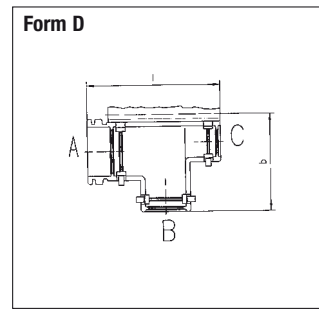
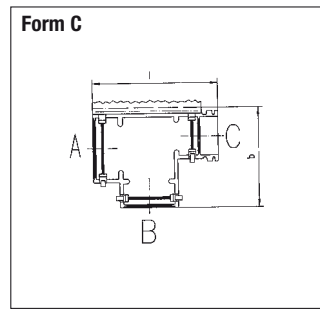
Form	außen- greifend	Schnapp- verschluss	Bügel- verschluss	Steck- fuß- einschub	Außen- einhänge- kontur an Abgang C	passend für Wellenschlauch-Profil NW (A-B-C) Normal +UFW	AHW	selbst- schließend L-Profil	verschieß- bar V-Profil	b mm	l mm	Art.-Nr.	VE Stck.
Form	outside gripping	Snap lock	Clamp lock	Plug socket slide in	exterior hook-up on branch C	suitable for corrugated tube profile NW (A-B-C) normal +UFW	AHW	self closing L-Profile	lockable V-Profile	b mm	l mm	Art. no.	PU pcs.
A	✓	✓		✓		7,5-7,5-7,5	6-6-6	7,5-7,5-7,5		24,7	33,4	9806082	500
A	✓	✓		✓		8,5-8,5-10		8,5-8,5-10		27,2	37,6	9806088	500
A	✓	✓		✓		10-7,5-7,5	8,5-6-6	10-7,5-7,5		24,7	36,0	9806087	500
A	✓	✓		✓		10-8,5-10		10-8,5-10		26,9	37,5	9806086	500
A	✓	✓		✓		10-10-7,5	8,5-8,5-6	10-10-7,5		26,8	38,5	9806097	500
A	✓	✓		✓		10-10-10	8,5-8,5-8,5	10-10-10	8,5-8,5-8,5	26,7	39,2	9806089	500
A	✓	✓		✓		13-7,5-13	11-6-11	13-7,5-13		30,9	35,8	9806092	500
A	✓	✓		✓		13-8,5-10		13-8,5-10		29,7	37,5	9806090	500
A	✓	✓		✓		13-10-10	11-8,5-8,5	13-10-10	11-8,5-8,5	29,1	38,9	9806091	500
A	✓	✓		✓		13-13-7,5	11-11-6	13-13-7,5		30,3	41,5	9806093	500
A	✓	✓		✓		17-7,5-17	15-6-15	17-7,5-17		34,6	37,5	9806095	500
A	✓	✓		✓		17-10-17	15-8,5-15	17-10-17	15-8,5-15	35,8	40,5	9806094	500
A	✓	✓		✓		17-13-13	15-11-11	17-13-13	15-11-11	34,6	43,2	9806096	500
A	✓	✓		✓		17-17-7,5	15-15-6	17-17-7,5		39,5	48,9	9806099	250
A	✓	✓		✓		22-22-10	19-19-8,5		19-19-8,5	43,7	53,7	9806178	250
B	✓		✓	✓		4,5-4,5-4,5	4,5-4,5-4,5	4,5-4,5-4,5		24,1	30,0	9806162	500
B	✓		✓	✓	✓	7,5-4,5-7,5	6-4,5-6	7,5-4,5-7,5		25,7	36,6	9806081	500
B	✓		✓	✓		7,5-7,5-4,5	6-6-4,5	7,5-7,5-4,5		33,2	25,7	9806168	500
B	✓		✓	✓	✓	7,5-7,5-7,5	6-6-6	7,5-7,5-7,5		26,1	39,2	9806083	500
B	✓		✓	✓	✓	7,5-10-7,5	6-8,5-6	7,5-10-7,5		26,1	42,4	9806180	250
B	✓		✓	✓	✓	8,5-8,5-8,5		8,5-8,5-8,5		29,0	43,4	9806133	500
B	✓		✓	✓	✓	8,5-8,5-10		8,5-8,5-10		28,5	41,1	9806079	500
B	✓		✓	✓	✓	10-4,5-7,5	8,5-4,5-6	10-4,5-7,5		33,7	50,8	9806163	500
B	✓		✓	✓	✓	10-4,5-10	8,5-4,5-8,5	10-4,5-10		28,7	36,6	9806105	500
B	✓		✓	✓		10-7,5-4,5	8,5-6-4,5	10-7,5-4,5		44,0	33,7	9806170	500
B	✓		✓	✓	✓	10-7,5-10	8,5-6-8,5	10-7,5-10		28,7	39,4	9806111	500

2.3

2.3

Form	außen- greifend	Bügel- verschluss	Steck- fuß- einschub	Außen- ein- hänge- kontur an Abgang C	Glatt	passend für Wellschlauch-Profil NW (A-B-C)				b mm	l mm	Art.-Nr.	VE Stck.
Form	outside gripping	Clamp lock	Plug socket slide in	exterior hook-up on branch C	smooth	Normal +UFW	AHW	selbst- schlie- ßend L-Profil	verschie- bar V-Profil	b mm	l mm	Art. no.	PU pcs.
						suitable for corrugated tube normal +UFW	AHW	profile NW self closing L-Profile	(A-B-C) lockable V-Profile				
B	✓	✓	✓			10-10-4,5	8,5-8,5-4,5	10-10-4,5		33,7	44,6	9806169	500
B	✓	✓	✓	✓		10-10-7,5	8,5-8,5-6	10-10-7,5		28,7	42,4	9806160	500
B	✓	✓	✓	✓		10-10-10	8,5-8,5-8,5	10-10-10	8,5-8,5-8,5	28,8	42,4	9806138	500
B	✓	✓	✓	✓		13- 4,5-13	11-4,5-11	13-4,5-13		53,0	36,6	9806173	500
B	✓	✓	✓	✓		13-7,5-13	11-6-11	13-7,5-13		31,7	40,1	9806158	500
B	✓	✓	✓	✓		13-8,5-10		13-8,5-10			52,3	9806175	500
B	✓	✓	✓			13-10-4,5	11-8,5-4,5	13-10-4,5		46,1	36,6	9806171	500
B	✓	✓	✓	✓		13-10-7,5	11-8,5-6	13-10-7,5	11-8,5-6	52,3	36,6	9806172	500
B	✓	✓	✓	✓		13-10-13	11-8,5-11	13-10-13	11-8,5-11	31,6	43,6	9806101	500
B	✓	✓	✓	✓		13-13-7,5	11-11-6	13-13-7,5		31,6	45,3	9806159	500
B	✓	✓	✓	✓		13-13-10	11-11-8,5	13-13-10	11-11-8,5	31,6	45,3	9806104	500
B	✓	✓	✓	✓		17-4,5-17	15-4,5-15	17-4,5-17		40,8	37,0	9806161	500
B	✓	✓	✓	✓		17- 7,5-13	15-6-11	17-7,5-13		36,9	41,0	9806100	500
B	✓	✓	✓	✓		17-7,5-17	15-6-15	17-7,5-17		37,0	40,8	9806137	500
B	✓	✓	✓	✓		17-10-13	15-8,5-11	17-10-13	15-8,5-11	36,9	43,6	9806107	500
B	✓	✓	✓	✓		17-10-17	15-8,5-15	17-10-17	15-8,5-15	37,0	43,8	9806136	500
B	✓	✓	✓	✓		17-13-13	15-11-11	17-13-13	15-11-11	36,9	46,0	9806166	500
B	✓	✓	✓	✓		17-13-17	15-11-15	17-13-17	15-11-15	36,3	50,1	9806141	250
B	✓	✓	✓	✓		17-17-7,5	15-15-6	17-17-7,5		36,9	50,6	9806167	500
B	✓	✓	✓	✓		17-22-17	15-19-15		15-19-15	39,3	59,9	9806135	250
B	✓	✓	✓	✓		22-4,5-22	19-4,5-19			37,7	41,4	9806106	500
B	✓	✓	✓	✓		22-7,5-22	19-6-19			41,4	39,5	9806113	500
B	✓	✓	✓	✓		22-8,5-22				47,0	66,4	9806149	500
B	✓	✓	✓	✓		22-10-10	19-8,5-8,5		19-8,5-8,5	47,0	66,3	9806143	500
B	✓	✓	✓	✓		22-10-17	19-8,5-15		19-8,5-15	47,0	67,7	9806179	500
B	✓	✓	✓	✓		22-10-22	19-8,5-19		19-8,5-19	41,5	42,5	9806121	500
B	✓	✓	✓	✓	✓	22-10-22	19-8,5-19		19-8,5-19	66,4	47,0	9806164	100
B	✓	✓	✓	✓		22-13-17	19-11-15		19-11-15	41,4	46,7	9806114	250
B	✓	✓	✓	✓		22-13-22	19-11-19		19-11-19	41,4	46,4	9806108	500
B	✓	✓	✓	✓		22-17-13	19-15-11		19-15-11	41,9	51,3	9806103	250
B	✓	✓	✓	✓		22-22-10	19-19-8,5		19-19-8,5			9806178	250
B	✓	✓	✓	✓		22-22-13	19-19-11		19-19-11	43,8	58,5	9806142	250
B	✓	✓	✓	✓		22-22-22	19-19-19		19-19-19	42,4	56,2	9806102	250
B	✓	✓	✓	✓	✓	22-22-22	19-19-19		19-19-19	66,4	47,0	9806165	500
B	✓	✓	✓	✓		22-26-17	19-26-15		19-26-15	42,5	57,0	9806184	250
B	✓	✓	✓	✓		22-29-26				48,5	60,0	9806182	250
B	✓	✓	✓	✓		26-4,5-22	26-4,5-19			53,0	72,3	9806153	100
B	✓	✓	✓	✓		26-4,5-26	26-4,5-26			53,0	73,0	9806144	500
B	✓	✓	✓	✓		26-7,5-22	26-6-19			53,0	72,3	9806156	500
B	✓	✓	✓	✓		26-7,5-26	26-6-26			53,0	73,0	9806177	500
B	✓	✓	✓	✓		26-8,5-26				53,0	73,0	9806145	500
B	✓	✓	✓	✓		26-10-26	26-8,5-26		26-8,5-26	47,6	45,1	9806129	500
B	✓	✓	✓	✓		26-13-13	26-11-11		26-11-11	53,0	72,9	9806140	500
B	✓	✓	✓	✓		26-13-22	26-11-19		26-11-19	53,0	72,3	9806148	500
B	✓	✓	✓	✓		26-13-26	26-11-26		26-11-26	53,0	73,0	9806147	500
B	✓	✓	✓	✓		26-17-17	26-15-15		26-15-15	49,0	52,5	9806109	250
B	✓	✓	✓	✓		26-17-22	26-15-19		26-15-19	47,3	50,7	9806119	500
B	✓	✓	✓	✓		26-17-26	26-15-26		26-15-26	53,0	73,0	9806146	500
B	✓	✓	✓	✓		26-22-22	26-19-19		26-19-19	47,3	55,2	9806112	250
B	✓	✓	✓	✓		26-26-10	26-26-8,5		26-26-8,5	72,2	53,0	9806174	250
B	✓	✓	✓	✓		26-26-13	26-26-11		26-26-11	53,0	72,9	9806134	500
B	✓	✓	✓	✓		26-26-22	26-26-19		26-26-19	47,4	61,2	9806110	250
B	✓	✓	✓	✓		26-26-26	26-26-26		26-26-26	53,0	73,0	9806157	500
B	✓	✓	✓	✓		29-13-29				51,5	41,5	9806183	250
B	✓	✓	✓	✓		29-17-26				51,4	46,4	9806181	250
B	✓	✓	✓	✓		29-17-29				53,5	59,6	9806301	500
B	✓	✓	✓	✓		37-13-26				50,2	57,9	9806205	100
B	✓	✓	✓	✓		50-26-50				69,5	82,0	9806204	100
B	✓	✓	✓	✓		50-37-26				80,8	78,8	9806209	125
B	✓	✓	✓	✓		50-37-50				96,0	78,9	9806208	50

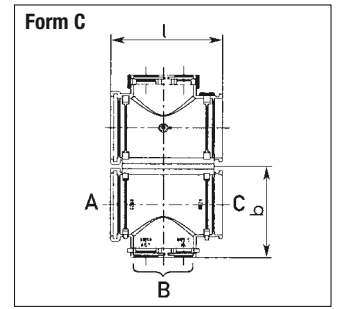
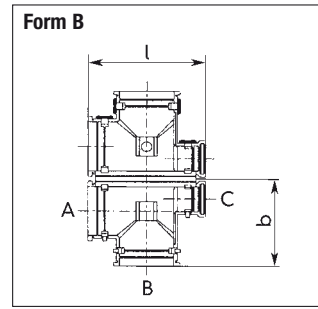
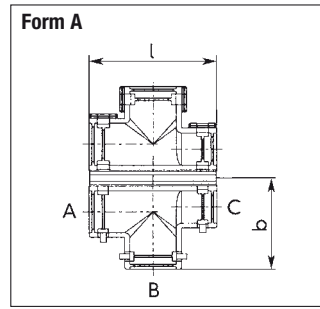
T-Verteiler
T-Manifolds



Form	außen- greifend	innen- greifend	Schnapp- verschluss	Bügel- verschluss	Steck- fuß- ein- schub	Außen- einhäng- kontur an Abgang C	Well- schlauch- anschlag innen	Außen- einhäng- kontur an Abgang A	passend für Wellenschlauch-Profil NW (A-B-C)				b mm	l mm	Art.-Nr.	VE Stck.
Form	outside gripping	inside gripping	Snap lock	Clamp lock	Plug socket slide in	exterior hook-up on branch C	stop ridge for corruga- ted tube inside	exterior hook-up on branch A	Normal +UFW	AHW	selbst- schlieBend L-Profil	verschieB- bar V-Profil	b mm	l mm	Art. no.	PU pcs.
									suitable for corrugated tube profile NW (A-B-C)	AHW	self closing L-Profil	lockable V-Profil				
C	✓			✓	✓	✓	✓		7,5-4,5-4,5	6-4,5-4,5	7,5-4,5-4,5		24,7	37,7	9806125	1000
C	✓			✓	✓	✓	✓		10-8,5-8,5		10-8,5-8,5		29,1	36,0	9806188	500
C	✓			✓	✓	✓	✓		10-8,5-10		10-8,5-10		29,1	42,2	9806189	500
C	✓			✓	✓	✓	✓		10-10-8,5		10-10-8,5		29,1	37,0	9806185	500
C	✓			✓	✓	✓	✓		10-13-10	8,5-11-8,5	10-13-10	8,5-11-8,5	29,1	46,2	9806186	500
C	✓			✓	✓	✓	✓		13-4,5-10	11-4,5-8,5	13-4,5-10		30,6	39,5	9806127	500
C	✓			✓	✓	✓	✓		13-8,5-13		13-8,5-13		31,6	42,4	9806118	1400
C	✓			✓	✓	✓	✓		13-13-13	11-11-11	13-13-13	11-11-11	31,9	46,6	9806115	500
C	✓			✓	✓	✓	✓		17-8,5-17				36,9	46,0	9806120	250
C	✓			✓	✓	✓	✓		17-17-13	15-15-11		15-15-11	37,2	51,9	9806187	500
C	✓			✓	✓	✓	✓		22-22-17	19-19-15		19-19-15	43,8	60,6	9806126	900
C	✓			✓	✓	✓	✓		22-23-10				42,2	60,6	9806116	250
C	✓			✓	✓	✓	✓		22-23-13				42,2	61,3	9806117	250
C	✓			✓	✓	✓	✓		23-22-22				46,6	58,4	9806122	250
C	✓			✓	✓	✓	✓		26-17-10	26-15-8,5		26-15-8,5	49,0	51,8	9806123	250
C	✓			✓	✓	✓	✓		26-17-13	26-15-11		26-15-11	49,0	52,2	9806124	250
C	✓			✓	✓	✓	✓		26-22-23				49,7	57,6	9806128	250
D	✓			✓	✓			✓	10-7,5-7,5	8,5-6-6	10-7,5-7,5		28,7	39,7	9806130	2000
D	✓			✓	✓			✓	13-10-10	11-8,5-8,5	13-10-10	11-8,5-8,5	31,9	43,6	9806131	500
Innengreifend/Inside gripping																
		✓	✓						10-10-10					94,0	9806073	100
		✓	✓						10-17-22					105,0	9806074	100
		✓	✓						17-17-10					94,0	9806072	100
		✓	✓						17-17-17					94,0	9806076	100
		✓	✓						22-22-10					105,0	9806069	100
		✓	✓						22-22-17					105,0	9806070	100
		✓	✓						22-22-22					105,0	9806068	250

T-Spezialverteiler T-Special Manifolds

HF = High Flex Profil
High Flex Profile



Form	außen- greifend	Bügel- verschluss	Steckfuß- einschub	passend für Well Schlauch-Profil NW (A-B-C)			verschleiß- bar V-Profil	b mm	l mm	Art.-Nr.	VE Stck.
Form	outside gripping	Clamp lock	Plug socket slide in	Normal +UFW	AHW	selbst- schließend L-Profil	lockable V-Profile	b mm	l mm	Art. no.	PU pcs.
A	✓	✓	✓	10-4,5-4,5	8,5-4,5-4,5	10-4,5-4,5				9806302	500
A	✓	✓			23HF-13-23HF			51,0	49,6	9810550	250
A	✓	✓			23HF-13-23HF			51,0	47,6	9810551	250
A	✓	✓		26-29-26				48,5	60,0	9806304	500
B	✓	✓		13-8,5-10	11-8,5-8,5	13-8,5-10	11-8,5-8,5			9806191	500
B	✓	✓		10-10-10	8,5-8,5-8,5	10-10-10	8,5-8,5-8,5			9806190	500
B	✓	✓		17-10-17	15-8,5-15	17-10-17	15-8,5-15			9806192	500
B	✓	✓		17-13-13	15-11-11	17-13-13	15-11-11			9806193	500
B	✓	✓		29-26-29				53,5	59,6	9806154	500
C	✓	✓		29-10/7,5-29						9806300	500

2.3

Y-Verteiler

Y-Manifolds

RoHS

Material:
Polyamid 66
Polyamid 46 auf Anfrage

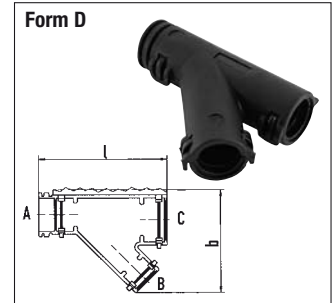
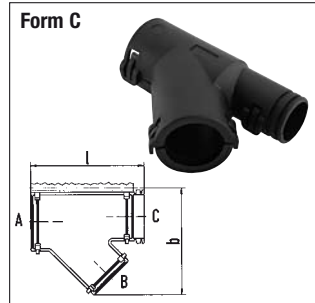
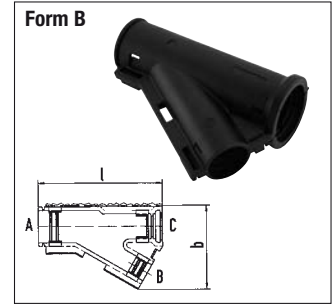
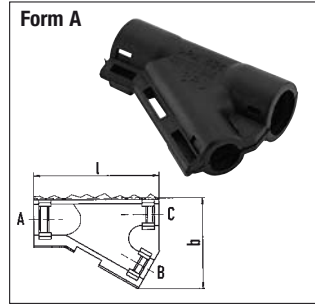
Temperaturbereich:
-40°C bis 135°C
500 h: -40°C bis 150°C

Farbe(n)/Ausführungen:
• Schwarz

Material:
Polyamide 66
Polyamide 46 on request

Temperature range:
-40°C to 135°C
500 h: -40°C to 150°C

Colour(s)/Designs:
• Black



Form	außen- greifend	Schnapp- verschluss	Bügel- verschluss	Steck- fuß- ein- schub	Außen- einhäng- kontur an Abgang C	Well- schlauch- anschlag innen	passend für Wellenschlauch-Profil NW (A-B-C) Normal +UFW	AHW	selbst- schließend L-Profil	verschieß- bar V-Profil	b mm	l mm	Art.-Nr.	VE Stck.
Form	outside gripping	Snap lock	Clamp lock	Plug socket slide in	exterior hook-up on branch C	stop ridge for corrugated tube inside	suitable for corrugated tube profile NW (A-B-C) normal +UFW	AHW	self closing L-Profile	lockable V-Profile	b mm	l mm	Art. no.	PU pcs.
A	✓	✓					7,5-4,5-4,5	6-4,5-4,5	7,5-4,5-4,5		30,0	40,0	9817080	1000
A	✓	✓					7,5-4,5-7,5	6-4,5-6	7,5-4,5-7,5		30,0	40,0	9817083	1000
B	✓	✓			✓		17-13-17	15-11-15	17-13-17	15-11-15	58,4	78,8	9817201	500
B	✓	✓			✓		22-10-17	19- 8,5-15		19- 8,5-15	57,1	68,8	9817200	500
B	✓	✓			✓		22-13-17	19-11-15		19-11-15	55,1	60,3	9817203	500
B	✓	✓			✓		22-17-17	19-15-15		19-15-15	58,9	67,9	9817202	500
C	✓		✓	✓			4,5-4,5-4,5	4,5-4,5-4,5	4,5-4,5-4,5		27,8	33,0	9817050	1000
C	✓		✓	✓	✓		13-7,5-10	11-6-8,5	13-7,5-10		39,5	47,3	9817304	500
C	✓		✓		✓		13-10-10	11-8,5-8,5	13-10-10	11-8,5-8,5	45,4	59,9	9817306	500
C	✓		✓		✓		13-10-13	11-8,5-11	13-10-13	11-8,5-11	45,6	59,9	9817305	500
C	✓		✓		✓		13-13-13	11-11-11	13-13-13	11-11-11	46,6	59,9	9817308	500
C	✓		✓		✓		17-13-10	15-11-8,5	17-13-17	15-11-8,5	46,9	59,9	9817310	500
C	✓		✓		✓		17-17-10	15-15-8,5	17-17-10	15-15-8,5	48,8	59,9	9817309	500
C	✓		✓		✓		22-13-22	19-11-19		19-11-19	56,4	63,5	9817311	100
C	✓		✓		✓		22-22-22	19-19-19		19-19-19	64,7	76,7	9817302	250
C	✓		✓		✓		26-22-22	26-19-19		26-19-19	64,7	69,4	9817300	500

ähnlich Form C/similar to Form C

	✓		✓	✓			8,5-8,5-8,5		8,5-8,5-8,5		38,9	45,0	9817040	500
	✓		✓	✓		✓	10-8,5-8,5		10-8,5-8,5		39,4	45,0	9817041	500
	✓		✓	✓	✓		10-8,5-10		10-8,5-10		40,0	51,2	9817030	500
	✓		✓	✓		✓	13-8,5-8,5		13-8,5-8,5		37,9	40,0	9817037	500
	✓		✓	✓	✓		13-8,5-10		13-8,5-10		40,1	49,2	9817031	500
	✓		✓	✓	✓		13-8,5-13		13-8,5-13		43,0	51,9	9817032	500
	✓		✓	✓	✓	✓	17-8,5-13		17-8,5-13		43,3	47,9	9817039	500
	✓		✓	✓	✓		17-10-10	15-8,5-8,5	17-10-10	15-8,5-8,5	41,9	46,2	9817033	500
	✓		✓	✓	✓	✓	17-10-17	15-8,5-15	17-10-17	15-8,5-15	49,7	55,6	9817038	500
	✓		✓	✓	✓		17-10-13	15-8,5-11	17-10-13	15-8,5-11	44,0	48,9	9817035	500
	✓		✓	✓	✓	✓	17-13-13	15-11-11	17-13-13	15-11-11	46,2	52,9	9817036	500
	✓		✓	✓	✓	✓	22-10-22	19-8,5-19		19-8,5-19	54,2	54,3	9817034	100

D	✓		✓		✓		10-10-10	8,5-8,5-8,5	10-10-10	8,5-8,5-8,5	43,0	54,4	9817303	500
---	---	--	---	--	---	--	----------	-------------	----------	-------------	------	------	---------	-----

2.3

M-Verteiler

M-Manifolds

RoHS

Material:
Polyamid 66
Polyamid 46 auf Anfrage

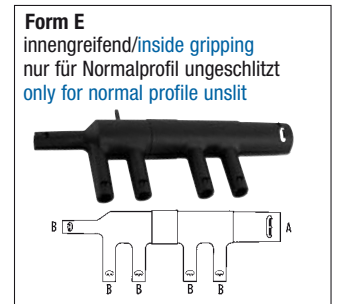
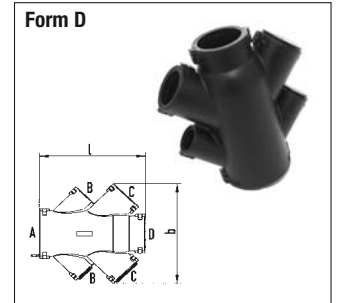
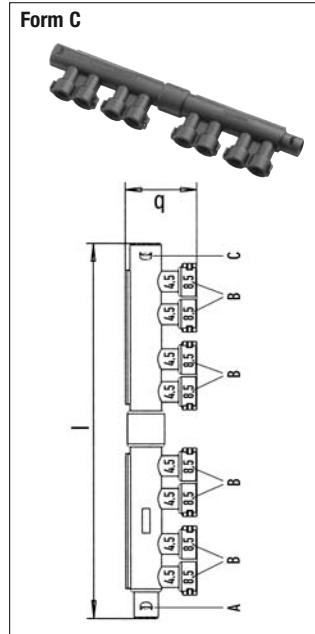
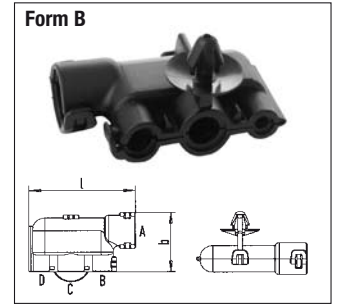
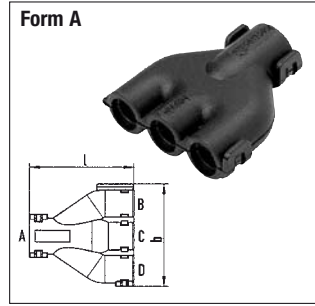
Temperaturbereich:
-40°C bis 135°C
500 h: -40°C bis 150°C

Farbe(n)/Ausführungen:
• Schwarz

Material:
Polyamide 66
Polyamide 46 on request

Temperature range:
-40°C to 135°C
500 h: -40°C to 150°C

Colour(s)/Designs:
• Black



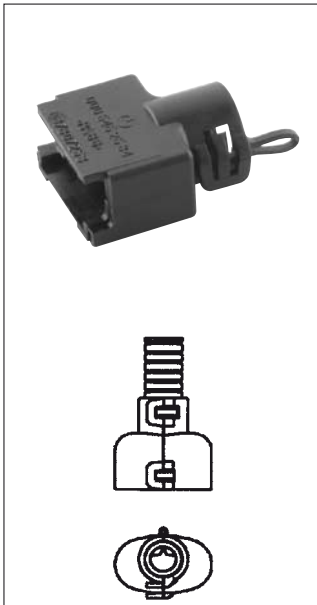
Form E
innengreifend/inside gripping
nur für Normalprofil ungeschlitzt
only for normal profile unslit

Form	außen-greifend	innen-greifend	Bügel-verschluss	Spreiz-anker	passend für Well Schlauch-Profil NW (A-B-C-D) Normal +UFW	AHW	selbst-schließend L-Profil	verschließ-bar V-Profil	b mm	l mm	Art.-Nr.	VE Stck.
Form	outside gripping	inside gripping	Clamp lock	Spread anchor	suitable for corrugated tube profile NW normal +UFW	AHW	self closing L-Profile	lockable V-Profile	b mm	l mm	Art. no.	PU pcs.
A	✓		✓		7,5-4,5-4,5-4,5	6-4,5-4,5-4,5	7,5-4,5-4,5-4,5		36,5	36,0	9817090	500
A	✓		✓		10-4,5-7,5-4,5	8,5-4,5-6-4,5	10-4,5-7,5-4,5			45,4	9817092	250
A	✓		✓		10-7,5-7,5-4,5	8,5-6-6-4,5	10-7,5-7,5-4,5			45,4	9817091	500
B	✓		✓	✓	10-4,5-7,5-3	8,5-4,5-6-3			31,6	52,5	9817502	500
C	B	A+C	✓		13-8x8,5(4,5)-17				38,5	185,5	9817095	250
D	✓		✓		29-2x10-2x17-22				82,7	81,5	9817500	250
E		✓	✓		22-5x10						9806067	50

Übersicht Schutzkappen / Overview Connector Interfaces

Form A

Gerade
Straight



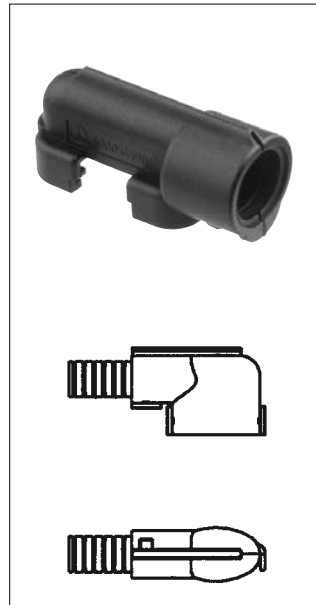
Form B

Quer
Cross



Form C

Längs
Lengthwise



Form D

Drehbar
Turnable



2.3

Bezeichnung Steckerhersteller / Name of Plug Manufacturer

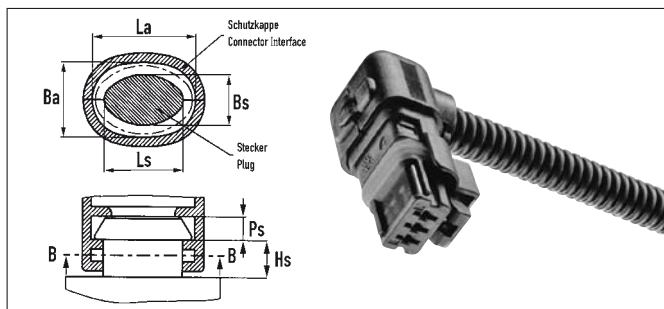
AMP	AMP/Tyco	FEP	Fahrzeugelektrik Pirna	RNH	Reinshagen
CINCH	CINCH	GHW	Grote & Hartmann/Lear	SA	Schlemmer
DELPHI	DELPHI	HM	Hirschmann	SIEMENS	SIEMENS
DEUTSCH	DEUTSCH	KBR	KBR	SUM	SUMITOMO
EPC	EPC	LK	Kostal	Tyco	Tyco/AMP
FCI	Framatome	RB	Robert Bosch		

Beispiele für die Benennung der Schutzkappen / Examples for name of Connector Interfaces

Steckerhersteller und Pole bzw. Anschluss Plug Manufacturer and poles or Connector	Kontakttyp oder Steckerfamilie Contact-Type or Plug-family	Form Form	passend für Wellenschlauch suitable for corrugated tube	Sonderangaben Special details
GHW2	MKR	A	NW 8,5	SES
FEP 2x5	2,8	B	NW 10	
AMP2	JPT	B	NW 4,5	45

Hauptabmaße / Main dimensions

	EL Ellipsen-Form / Elliptical form	RE Rechteck-Form / Rectangular form
	RD Kreis-Form / Circle form	RR Langloch-Form / Long hole form



RoHS

Material:
Polyamid 66
Polyamid 46 auf Anfrage

Temperaturbereich:
-40°C bis 135°C
500 h: -40°C bis 150°C

Farbe(n)/Ausführungen:
• Schwarz
• außengreifend

- Eigenschaften:**
- Schützen offenliegende Leitungen
 - Schützen Kontaktkammern vor Spritz- und Strahlwasser
 - Zugentlastung für den Leitungsstrang
 - Ermöglichen eine festgelegte Leitungsführung im Leitungssatz
 - Verbessern die Optik des Leitungssatzes
 - Leicht zu montieren

Material:
Polyamide 66
Polyamide 46 on request

Temperature range:
-40°C to 135°C
500 h: -40°C to 150°C

Colour(s)/Designs:
• Black
• outside gripping

- Characteristics:**
- Protection of the harness between end of the tube and connector
 - Protection of the harness contact cells against splash- and straywater
 - traction relief for the conducting wire
 - Enables a fixed guidance within the harness
 - Better visual effect of the harness
 - Easy to assemble

2.3

Stecker	Form	Anschluss Normal + UFW	NW AHW	High Flex	Zusatz	Stecker-Nr.	Form	Hauptabmaße					Art.-Nr.	VE Stck.	
Connector	Form	Contour normal + UFW	NW AHW	High Flex	Feature	Connector No.	Form	Main Dimensions	Ps	La	Ba	Art. no.	PU pcs.		
								La	Bs	Hs	Ps	La	Ba		
AMP10/2x10	A			13			RE	54,0	20,0	-	-	58,0	24,0	7807775	500
AMP10/2x10	A	17	15				RE	54,0	20,0	-	-	58,0	24,0	7807778	500
AMP10/2x10	B	13	11				RE	54,0	20,0	-	-	58,0	24,0	7807769	500
AMP10	B	9					RE	54,0	20,0	-	-	58,0	24,0	7807670	500
AMP10	D	10	8,5				RD	25,3	25,3	8,4	2,5	29,6	29,6	7807663	500
AMP10	D	7,5	6				RD	25,3	25,3	8,4	2,5	29,6	29,6	7807676	500
AMP1	A	4,5	4,5		CAND	01-51006-1	RD	10,5	10,5	-	4,2	13,4	13,4	7807653	1000
AMP1	A	4,5	4,5		CAND-50	01-51006-1	RD	10,5	10,5	-	4,2	13,4	13,4	7807683	1000
AMP1-SS	A	10	8,5			282079-x	RD	7,6	7,6	5,0	3,0	9,4	9,4	7807043	250
AMP1-SS	A	4,5	4,5			282079-x	RD	7,6	7,6	5,0	3,0	10,3	10,3	7807188	1000
AMP1-SS	A	7,5	6			282079-x	RD	7,6	7,6	5,0	3,0	10,3	10,3	7807783	1000
AMP1-SS	D	10	8,5			282079-x	RD	7,6	7,6	5,0	3,0	9,4	9,4	7807035	500
AMP1-SS	D	3				282079-x	RD	7,6	7,6	5,0	3,0	9,5	9,5	7807003	1000
AMP1-SS	D	4,5	4,5			282079-x	RD	7,6	7,6	5,0	3,0	9,5	9,5	7807063	2000
AMP21-JPT	GLATT/smooth					1-967 630	RE	37,7	18,2	6,0	8,0	37,8	24,4	7894050	250
AMP2	B	8,5		45°		1-1355338-1	EL	13,3	8,2	7,0	4,0	17,1	12,1	7807199	1000
AMP2-CPA	A	4,5	4,5				RR	15,5	10,5	7,0	2,7	19,0	14,0	7807628	1000
AMP2-CPA	B	4,5	4,5				RR	15,5	10,5	7,0	2,7	19,0	14,0	7807730	1000
AMP2-CPA	C	4,5	4,5				RR	15,5	10,5	7,0	2,7	19,0	14,0	7807185	1000
AMP2-JPT	A	GLATT/smooth				282762-x	RR	12,8	7,8	16,5	5,1	23,2	13,8	7807791	1000
AMP2-JPT	A	4,5	4,5			282762-x	RR	12,8	7,8	16,5	5,1	17,1	12,0	7807685	1000
AMP2-JPT	B	4,5	4,5	45°		282762-x	RR	12,8	7,8	16,5	5,1	17,1	12,0	7807075	1000
AMP2-MQ	A	4,5	4,5			965324	-	-	-	-	-	-	-	7807249	1000
AMP2-MQ	B	4,5	4,5			965324	-	-	-	-	-	-	-	7807247	1000
AMP2-MQS	A	4,5	4,5		ABS		EL	11,0	9,0	2,8	1,2	14,0	12,0	7807173	1000
AMP2-SS	A	GLATT/smooth				282080-x	RR	13,6	7,6	5,0	3,0	20,0	10,6	7807656	1000
AMP2-SS	A	10	8,5			282080-x	RR	13,6	7,6	5,0	3,0	15,4	9,4	7807042	2000
AMP2-SS	A	10/8,5/7,5	8,5/-/6			282080-x	RR	13,6	7,6	5,0	3,0	15,4	9,4	7807490	1000
AMP2-SS	A	4,5	4,5			282080-x	RR	13,6	7,6	5,0	3,0	17,2	12,2	7807192	1000
AMP2-SS	A	7,5	6		EHK 10	282080-x	RR	13,6	7,6	5,0	3,0	17,2	12,2	7807128	1000
AMP2-SS	B	4,5	4,5			282080-x	RR	13,6	7,6	5,0	3,0	17,1	12,1	7807602	1000
AMP2-SS	C	10	8,5			282080-x	RR	13,6	7,6	5,0	3,0	15,4	9,4	7807037	1000
AMP2-SS	C	4,5	4,5			282080-x	RR	13,6	7,6	5,0	3,0	17,2	12,2	7807194	1000
AMP2-SS	C	7,5	6		EHK 10	282080-x	RR	13,6	7,6	5,0	3,0	17,2	12,2	7807120	1000
AMP2x3-CPA	A	4,5	4,5				EL	15,2	11,1	6,5	3,0	18,3	14,3	7807682	1000
AMP2x3-CPA	A	7,5	6				EL	15,2	11,1	6,5	3,0	18,3	14,3	7806861	1000
AMP2x5-1.5	B	7,5	6			6X0 973 815	EL	23,4	13,6	7,5	4,0	26,4	16,6	7807066	1000
AMP2x6	A	10	8,5		KP	-	-	-	-	-	-	-	-	7777001	500
AMP2x6	A	10	8,5		ST	-	-	-	-	-	-	-	-	7777002	500
AMP2x6	A	9				-	RE	31,2	12,6	-	2,4	34,2	15,8	7806570	500
AMP3-CPA	A	GLATT/smooth					RR	19,4	10,4	7,2	2,6	23,1	14,0	7807833	1000
AMP3-CPA	A	4,5	4,5				RR	19,4	10,4	7,2	2,6	23,1	14,0	7807172	1000
AMP3-CPA	C	4,5	4,5				RR	19,4	10,4	7,2	2,6	23,1	14,0	7807657	1000

Stecker	Form	Anschluss Normal + UFW	NW AHW	High Flex	Zusatz	Stecker-Nr.	Form	Hauptabmaße						Art.-Nr.	VE Stck.
Connector	Form	Contour normal + UFW	NW AHW	High Flex	Feature	Connector No.	Form	Main Dimensions	Ps	La	Ba	Art. no.	PU pcs.		
								Ps	La	Ba					
AMP3-CPA	C	4,5	4,5		155°		RR	19,4	10,4	7,2	2,6	23,1	14,0	7807832	500
AMP3	D	7,5	6			-	RD	15,8	15,8	8,4	2,4	20,1	20,1	7807664	1000
AMP3-JPT	A	GLATT/smooth				282729-x	RR	17,8	7,8	16,5	5,5	23,2	13,8	7807792	1000
AMP3-JPT	A	4,5	4,5			282729-x	RR	17,8	7,8	16,5	5,5	23,2	13,8	7807184	1000
AMP3-JPT	C	7,5	6			282729-x	RR	17,8	7,8	16,5	5,5	23,2	13,8	7807118	1000
AMP3-MQ	A	4,5	4,5			1 967 081-1	-	-	-	-	-	-	-	7807045	1000
AMP3-SS	A	GLATT/smooth				282087-x	RR	19,6	7,6	5,0	3,0	23,2	13,8	7807790	1000
AMP3-SS	A	10	8,5			282087-x	RR	19,6	7,6	5,0	3,0	21,4	9,4	7807041	250
AMP3-SS	A	10/8,5/7,5	8,5/-/6			282087-x	RR	19,6	7,6	5,0	3,0	24,8	13,2	7807491	1000
AMP3-SS	A	4,5	4,5			282087-x	RR	19,6	7,6	5,0	3,0	24,8	13,2	7807768	1000
AMP3-SS	A	7,5	6		EHK 10	282087-x	RR	19,6	7,6	5,0	3,0	24,8	13,2	7807196	1000
AMP3-SS	C	10	8,5			282087-x	RR	19,6	7,6	5,0	3,0	21,4	9,4	7807036	1000
AMP3x8	A	17	15			1745048-1	RE	44,0	18,6	6,6	1,5	47,1	21,6	7807497	500
AMP4-DIN	A	4,5	4,5			1-965569-2	RD	18,3	18,3	-	-	20,5	20,5	7807699	1000
AMP4-DIN	A	7,5	6		EHK 10	1-965569-2	RD	18,3	18,3	-	-	20,5	20,5	7807700	1000
AMP4-DIN	D	10	8,5			1-965569-2	RD	18,3	18,3	-	-	20,5	20,5	7807662	1000
AMP4-DIN	D	4,5	4,5			1-965569-2	RD	18,3	18,3	-	-	20,5	20,5	7807660	1000
AMP4-DIN	D	7,5	6		EHK 10	1-965569-2	RD	18,3	18,3	-	-	20,5	20,5	7807661	1000
AMP4-JPT	A	7,5	6			282764-x	RR	22,8	7,8	6,0	5,5	28,5	14,0	7807068	1000
AMP4-JPT	B	7,5	6			282764-x	RR	22,8	7,8	6,0	5,5	28,5	14,0	7807088	1000
AMP4-MQ	A	4,5	4,5				-	-	-	-	-	-	-	7806880	1000
AMP4-SS	A	10	8,5			282088-x	RR	25,6	7,6	5,0	3,0	27,4	9,4	7807040	250
AMP4-SS	A	10/8,5/7,5	8,5/-/6			282088-x	RR	25,6	7,6	5,0	3,0	31,0	15,2	7807492	1000
AMP4-SS	A	4,5	4,5			282088-x	RR	25,6	7,6	5,0	3,0	31,0	15,2	7807771	1000
AMP4-SS	A	7,5	6		EHK 10	282088-x	RR	25,6	7,6	5,0	3,0	31,0	15,2	7807198	1000
AMP5-JPT	A	7,5	6			282766-x	RR	27,7	7,7	16,5	5,5	32,5	15,1	7807067	1000
AMP5-JPT	A	8,5				282766-x	RR	27,7	7,7	16,5	5,5	32,5	15,1	7807086	1000
AMP5-JPT	C	4,5	4,5			282766-x	RR	27,7	7,7	16,5	5,5	35,1	15,1	7807686	1000
AMP5-SS	A	10	8,5			-	RR	31,6	7,6	5,0	3,0	33,4	9,4	7807039	250
AMP5-SS	A	7,5	6		EHK 10	-	RR	31,6	7,6	5,0	3,0	33,4	9,4	7807762	1000
AMP64	A	17	15		D5	x-284272-x	RE	22,6	15,7	-	2,0	-	-	7807622	1000
AMP6-JPT	C	10	8,5				RR	32,5	7,5	16,5	5,2	41,1	16,1	7807667	1000
AMP6-MQ	A	7,5	6			x-967616-x	-	-	-	-	-	-	-	7807606	1000
AMP6-MQS-45	-	7,5	6				-	-	-	-	-	-	-	7807498	a.A/o.r.
AMP6-MQS	B	7,5	6		180°		RR	37,6	7,6	5,0	3,0	39,4	9,4	7806610	1000
AMP6-SS	A	10	8,5			-	RR	37,6	7,6	5,0	3,0	39,4	9,4	7807038	250
AMP6-SS	A	7,5	6		EHK 10	-	RR	37,6	7,6	5,0	3,0	39,4	9,4	7807763	1000
AMP94	A	22	19			tyco 1-1355133-2	-	-	-	-	-	-	-	7807692	500
AMP94	A			23		tyco 1-1355133-2	-	-	-	-	-	-	-	7807687	1000
AMP94	D			19			-	-	-	-	-	-	-	7807688	500
AMP94	D	22	19				-	-	-	-	-	-	-	7807693	1000
B+GENERATOR	B	GLATT/smooth				-	RD	-	-	-	-	-	-	7807002	1000
CAT70	B	26	26			160-7689	RE	76,5	46,1	-	-	76,5	46,1	7807773	250
CINCH38	A	13	11			51201EV38M1	RE	27,5	13,6	5,0	6,0	30,4	16,6	7807600	1000
CINCH38	B			19		51201EV38M1	RE	27,5	13,6	5,0	6,0	30,4	16,6	7807601	500
CINCH38	C			19		51201EV38M1	RE	27,5	13,6	5,0	6,0	30,4	16,6	7807001	1000
DELPHI1-MP2,8	A	4,5	4,5			280 GT 15336354	-	14,5	8,8	-	-	-	-	7807767	1000
DELPHI2-GLOBAL	B	4,5	4,5				RR	13,6	7,6	5,0	2,0	17,1	12,1	7807602	1000
DELPHI2-GT	B	4,5	4,5		45°		-	-	-	-	-	-	-	7807190	1000
DELPHI2-MP2,8	A	7,5	6				-	22,0	8,8	-	-	-	-	7807764	1000
DELPHI2-TS	B	7,5	6			15336016	-	-	-	-	-	-	-	7807794	1000
DELPHI2x3	B	7,5	6				-	-	-	-	-	-	-	7807820	500
DELPHI2x5	A	10	8,5		GLATT/smooth		-	24,0	14,4	-	-	-	-	7807671	1000
DELPHI38	B			13			-	-	-	-	-	-	-	7807836	500
DELPHI3	A	GLATT/smooth					EL	-	-	-	-	-	-	7806590	1000
DELPHI4	A	7,5	6				-	-	-	-	-	-	-	7807711	1000
DELPHI4	C	7,5	6				EL	22,1	9,5	9,5	2,0	25,0	12,6	7807723	1000
DELPHI4-GT150	A	10	8,5			1533 6035	RR	15,0	5,7	4,5	3,0	-	-	7807181	1000
DELPHI4-GT150	A	7,5	6			1533 6035	RR	15,0	5,7	4,5	3,0	-	-	7807182	1000
DELPHI4-GT150	C	7,5	6			1533 6035	RR	15,0	5,7	4,5	3,0	-	-	7807178	1000
DELPHI5-GT280	C	7,5	6				RR	39,8	8,9	5,8	3,1	41,6	10,8	7807789	1000
DELPHI-FS	A	10	8,5			FS N40 BMW 7 506 699	RD	16,4	16,4	-	4,5	18,4	18,4	7807450	1000
DEUTSCH2	A	4,5	4,5				RE	12,6	10,4	-	-	-	-	7806750	1000
DEUTSCH2	D	4,5/8,5	4,5				RD	-	-	-	-	-	-	7806751	1000
EPC2	C	4,5			45°		RR	11,5	6,5	-	-	13,9	8,9	7806780	1000
FCI14/16	D	13	11				RD	24,8	24,8	2,8	3,5	28,7	28,7	7807650	1000
FCI14/16	D	13	11		GLATT/smooth		RD	24,8	24,8	2,8	3,5	28,7	28,7	7807640	1000
FCI14/16	D	9					RD	24,8	24,8	2,8	3,5	28,7	28,7	7807649	1000

2.3

Stecker	Form	Anschluss Normal + UFW	NW AHW	High Flex	Zusatz	Stecker-Nr.	Form	Hauptabmaße						Art.-Nr.	VE Stck.
Connector	Form	Contour normal + UFW	NW AHW	High Flex	Feature	Connector No.	Form	Main Dimensions	Ps	La	Ba	Art. no.	PU pcs.		
								Ls	Bs	Hs	Ps	La	Ba		
FCI14	A	10	8,5				RD	24,8	24,8	2,8	5,0	28,7	28,7	7807638	1000
FCI14	A	13	11				RD	24,8	24,8	2,8	5,0	28,7	28,7	7806583	500
FCI24	C	GLATT/smooth					RE							7806625	1000
FCI24-SICMA	A	17	15				RE	39,0	21,5	9,5	7,7	39,0	21,5	7807795	500
FCI24-SICMA	C	17	15		45°		RE	39,0	21,5	9,5	7,7	39,0	21,5	7807786	a.A./o.r.
FCI2-SICMA	A	GLATT/smooth					RE	15,4	13,2	-	-	15,4	13,2	7807695	1000
FCI2-SICMA	A	4,5	4,5				RE	15,4	13,2	-	-	15,4	13,2	7807169	1000
FCI x 24-2,8	A	10	8,5			3A0 973 834/3A0 973 734	EL	31,1	15,1	8,0	4,0	36,2	20,2	7807104	500
FCI34	D	GLATT/smooth					RD	36,8	36,8	2,6	3,5			7806867	1000
FCI34	D	13	11		GLATT/smooth-V1		RD	36,8	36,8	2,6	3,5	40,4	40,4	7806980	500
FCI34	D	13	11		GLATT/smooth-V2		RD	36,8	36,8	2,6	3,5	40,4	40,4	7806981	500
FCI3-SICMA	B	7,5	6			297 857	-	-	-	-	-	-	-	7806071	3000
FCI3-SICMA	B	7,5	6				-	-	-	-	-	-	-	7806070	1000
FCI4	A	7,5	6				RE	29,5	11,3	-	-	-	-	7807797	500
FEP2-2,8	B	8,5			45°	1J0 973 722	EL	13,3	8,4	7,0	4,0	17,1	12,1	7807199	1000
FEP2-2,8	C	7,5	6			1J0 973 722	EL	13,3	8,4	7,0	4,0	17,1	12,1	7807203	1000
FEP2-4.8	C	10	8,5			1J0 973 752/3B0 973 752 A	EL	21,3	14,3	7,0	4,0	24,2	17,2	7807023	1000
FEP2 x 3-1,5	B	7,5	6			4 203 2800-1J0 973 713 G	EL	15,2	12,4	6,0	4,0	18,5	15,7	7807673	1000
FEP2x3-1.5	B	7,5	6		BS	4 203 2800 - 1J0 973 713 G	EL	15,2	12,4	6,0	4,0	18,5	15,7	7806076	1000
FEP2 x 3-1,5	C	7,5	6			1J0 973 713	EL	15,2	12,4	6,0	4,0	18,3	15,5	7806940	1000
FEP2x4-1.5	A	7,5	6			1J0 973 714	EL	19,5	12,7	6,0	4,0	22,6	15,8	7807131	1000
FEP2 x 7-1,5	B	10	8,5			4 203 2500-SX0 973 717	EL	31,5	15,7	6,0	4,0	34,5	18,7	7807174	1000
FEP x 27-1,5	B	10	8,5		HS	4 203 2500-SX0 973 717	EL	31,5	15,7	6,0	4,0	34,5	18,7	7807207	1000
FEP x 27-1,5	C	10	8,5			4 203 2500-SX0 973 717	EL	31,5	15,7	6,0	4,0	34,1	20,2	7807624	500
FEP3-1,5	B	8,5			45°	1J0 973 703	EL	13,7	8,8	6,0	4,0	17,1	12,1	7807199	1000
FEP3-1,5	C	7,5	6			1J0 973 703	EL	13,7	8,8	6,0	4,0	17,1	12,1	7807203	1000
FEP3-2,8	A	4,5	4,5			1J0 973 723-1K0 973 202	EL	19,3	9,4	7,0	4,0	23,1	13,1	7807768	1000
FEP3-2,8	B	4,5	4,5			1J0 973 723-1K0 973 202	EL	19,3	9,4	7,0	4,0	23,1	13,1	7806860	1000
FEP5-1.5	C	7,5	6				-	-	-	-	-	-	-	7807111	1000
FEP5-4,8	A	10	8,5				-	-	-	-	-	-	-	7806075	500
FEP6-2,8	C	10	8,5			1J0 973 726	EL	37,3	12,4	7,0	4,0	41,1	16,1	7807629	500
GHW12	D	13	11		35°	3944540	RD	31,0	31,0	10,0	3,8	34,0	34,0	7807244	1000
GHW12	D	17	15		35°	3944540	RD	31,0	31,0	10,0	3,8	34,0	34,0	7807480	500
GHW21	A	17	15				RE	43,9	19,9	17,3	4,7	52,2	28,2	7807246	500
GHW2	A	8,5					-	-	-	-	-	-	-	9805702	2000
GHW2-MKR	A	8,5			N	18286	EL	14,1	9,2	13,0	4,0	17,1	12,2	7807025	1000
GHW2-MKR	A	8,5			SES-N	18286	EL	14,1	9,2	13,0	4,0	17,1	12,2	7807027	1000
GHW3	A	8,5					-	-	-	-	-	-	-	9805706	1000
GHW4-MKR	A	8,5			N	18284	RE	14,9	10,1	14,0	4,0	21,2	16,6	7807029	1000
GHW4-MKR	A	8,5			SES-N	18284	RE	14,9	10,1	14,0	4,0	21,2	16,6	7807031	1000
GHW7	D	13	11		VF	16131	RD	18,0	18,0	18,0	1,5	19,7	19,7	7807062	500
HFM6	C	4,5	4,5				-	-	-	-	-	-	-	7806600	250
HM1/2-MLK	A	GLATT/smooth			CPA	A0475459428	RR	11,9	7,9	5,6	1,5	14,8	10,8	7807781	1000
HM1/2-MLK	A	GLATT/smooth			CPA	A0475459428	RR	11,9	7,9	5,6	1,5	14,8	10,8	7807787	1000
HM2	A	4,5	4,5				-	-	-	-	-	-	-	7807467	500
HM2	A	7,5	6		CABIND		RR	12,8	10,8	-	3,2	14,2	12,2	7807655	1000
HM2-MLK	A	4,5	4,5			705-160	RE	11,9	7,9	5,6	1,5	14,8	10,8	7806995	1000
HM2-MLK	B	4,5	4,5		CPA	705-160	RE	11,9	7,9	5,6	1,5	14,8	10,8	7806796	1000
HM2-MLK	C	4,5	4,5		CPA	705-160	RE	11,9	7,9	5,6	1,5	14,8	10,8	7806793	1000
HM3	C	4,5	4,5				-	-	-	-	-	-	-	7807468	1000
HM3-MLK	A	4,5	4,5			705-162	RE	15,9	7,9	5,5	1,5	18,9	10,8	7806801	1000
HM3-MLK	B	4,5	4,5		CPA	705-162	RE	15,9	7,9	5,5	1,5	18,9	10,8	7806803	1000
HM3-MLK	B	7,5	6		CPA	705-162	RE	15,9	7,9	5,5	1,5	18,9	10,8	7807831	1000
HM3-MLK	C	4,5	4,5		CPA	705-162	RE	15,9	7,9	5,5	1,5	18,9	10,8	7806794	1000
HM3-MLK	C	7,5	6		CPA	705-162	RE	15,9	7,9	5,5	1,5	18,9	10,8	7806581	1000
HM4	A	7,5	6		CAND		RR	11,7	4,6	1,5	1,5	13,7	7,0	7806587	1000
HM4	B	7,5	6				-	-	-	-	-	-	-	7807521	1000
HM4	B	7,5	6		180°		-	-	-	-	-	-	-	7807522	1000
HM4	C	4,5	4,5				-	-	-	-	-	-	-	7806560	1000
HM4-MLK	A	4,5	4,5			705-164	RR	21,3	9,3	5,5	1,5	24,3	12,3	7806589	1000
HM4-MLK	A	7,5	6			705-164	RR	21,3	9,3	5,5	1,5	24,3	12,3	7806806	1000
HM4-MLK	B	7,5	6		CPA	705-362	RR	21,3	9,3	5,5	1,5	24,3	12,3	7806807	1000
HM4-MLK	C	7,5	6		CPA	705-164	RR	21,3	9,3	5,5	1,5	24,3	12,3	7806808	1000
HM5	A	4,5	4,5				-	-	-	-	-	-	-	7806913	500
HM5	C	4,5	4,5				-	-	-	-	-	-	-	7806914	500
HM5-MLK	A	7,5	6			705-181	RE	25,3	9,3	5,5	1,5	28,3	12,3	7807780	1000
HM5-MLK	B	7,5	6			705-181	RE	25,3	9,3	5,5	1,5	28,3	12,2	7806795	1000
HM5-MLK	C	10	8,5			705-181	RE	25,3	9,3	5,5	1,5	28,3	12,2	7807788	1000

Stecker	Form	Anschluss Normal + UFW	NW AHW	High Flex	Zusatz	Stecker-Nr.	Form	Hauptabmaße						Art.-Nr.	VE Stck.
Connector	Form	Contour normal + UFW	NW AHW	High Flex	Feature	Connector No.	Form	Main Dimensions	Ps	La	Ba	Art. no.	PU pcs.		
								Ls	Bs	Hs	Ps	La	Ba		
HM5-MLK	C	7,5	6			705-181	RE	25,3	9,3	5,5	1,5	28,3	12,2	7806790	1000
ITT50-APD	D	22	19			120110-0075	RD	33,8	33,8	-	-	36,4	36,4	7806780	500
ITT50-APD	D	26	26			120110-0075	RD	33,8	33,8	-	-	36,4	36,4	7806790	500
JETRONIC2	A	8,5 UFW					-	-	-	-	-	-	-	9805711	500
JETRONIC3	A	8,5 UFW					-	-	-	-	-	-	-	9805710	500
KBR2	B	GLATT/smooth			50L	4B0 971 955	EL	31,4	19,7	12,6	3,5	34,5	23,0	7807143	500
KS	A	13	11				RD	-	-	-	-	-	-	7806874	1000
KS	D	13	11				RD	-	-	-	-	-	-	7806863	1000
KTL	B	7,5	6				RE	-	-	-	-	-	-	7806500	1000
LK10	B	8,5					RE	27,3	10,2	3,0	4,0	27,4	13,3	7807022	1000
LK16	A	8,5				09 4307 01	RD	-	-	-	-	-	-	7807018	500
LK20	D	13	11			09 4320 01	RD	26,3	26,3	5,0	3,7	31,0	31,0	7807090	500
LK20	D	17	15		EHK22	09 4320 01	RD	26,3	26,3	5,0	3,7	31,0	31,0	7807636	500
LK 25	C			19	35°	591010	RE	66,5	22,5	-	-	70,0	25,0	7807637	250
LK2	C	4,5	4,5		180°		-	-	-	-	-	-	-	7806853	1000
LK2-MT	A+D	4,5	GLATT/smooth				-	-	-	-	-	-	-	7806915	500
LK2-MT	A	4,5	4,5			09 4404 ..	EL	14,2	9,1	7,0	5,0	18,0	12,9	7807840	1000
LK2-MT	-	4,5	4,5		180°		-	-	-	-	-	-	-	7807841	500
LK23-MLK1,2	C	7,5	6			09 4421 ..	RE	13,6	9,6	2,0	2,0	17,0	11,4	7807010	1000
LK3-MT	B	4,5	4,5			09 4403 ..	EL	19,2	11,2	7,0	5,0	23,0	15,0	7807806	1000
LK3-SLK2,8	C	4,5	4,5		MS		-	-	-	-	-	-	-	7806917	1000
LK4-LKS1,5	A	7,5	6				-	-	-	-	-	-	-	7806925	1000
LK4-SLK2,8	B	7,5	6			53644 0	RR	21,6	6,6	7,0	5,0	25,8	10,8	7806910	1000
LK4-SLK2,8	B	7,5	6		GLATT/smooth		-	-	-	-	-	-	-	7806912	500
LK5	C	7,5	6			49755 0	EL	27,4	11,5	7,0	5,0	31,0	15,2	7807271	1000
MTA2	B	4,5	4,5		36°	1 928 403 874	EL	11,5	7,0	7,0	2,0	15,1	10,6	7807710	a.A./o.r.
MTA4	A	10	8,5		SL		EL	21,6	9,0	7,0	2,0	25,1	12,5	7806584	1000
PASS05	C	GLATT/smooth					RE	26,8	13,5	-	-	-	-	7807760	1000
RB16	A	13	11			1 928 404 190	RD	-	-	-	-	-	-	7807176	1000
RB16	A	8,5				1 928 404 190	RD	-	-	-	-	-	-	7807175	1000
RB2-JT	A	4,5	4,5				EL	14,0	9,0	13,6	5,0	17,2	12,2	7806869	1000
RB2-JT	A	8,5 UFW					-	-	-	-	-	-	-	9805711	500
RB2-KPT1,5	C	4,5	4,5			1 928 403 874	EL	11,5	7,0	7,0	2,0	15,1	10,6	7807681	1000
RB2-KPT1.5	C	4,5	4,5			1 928 403 874	EL	11,5	7,0	7,0	2,0	15,1	10,6	7807835	200
RB2-KPT	A	GLATT/smooth				1 928 403 874	EL	11,5	7,0	7,0	2,0	20,0	10,6	7807651	1000
RB2-KPT	A	4,5	4,5			1 928 403 874	EL	11,5	7,0	7,0	2,0	15,1	10,6	7807611	1000
RB2-KPT	A	4,5	4,5		PA46	1 928 403 874	EL	11,5	7,0	7,0	2,0	15,1	10,6	7806116	200
RB2-KPT	A	7,5	6			1 928 403 874	EL	11,5	7,0	7,0	2,0	15,1	10,6	7807612	1000
RB2-KPT	B	4,5	4,5			1 928 403 874	EL	11,5	7,0	7,0	2,0	15,1	10,6	7807069	1000
RB2-KPT	B	7,5	6			1 928 403 874	EL	11,5	7,0	7,0	2,0	15,1	10,6	7807079	1000
RB2-KPT	C	4,5	4,5		35L	1 928 403 874	EL	11,5	7,0	7,0	2,0	15,1	10,6	7807634	1000
RB2-KPT	C	7,5	6			1 928 403 874	EL	11,5	7,0	7,0	2,0	15,1	10,6	7807078	1000
RB2-KPT	C	8,5			NE	1 928 403 874	EL	11,5	7,0	7,0	2,0	15,1	10,6	7807784	500
RB35	A	26	26			1 928 401 987	RD	28,5	28,5	9,8	-	32,0	32,0	7807228	500
RB35	D	17	15			1 928 401 987	RD	28,5	28,5	9,8	-	32,0	32,0	7807102	1000
RB3-JT	A	4,5	4,5			1928 402 4..	EL	19,0	9,0	13,6	5,0	23,2	13,8	7807779	1000
RB3-JT	A	7,5	6			1928 402 4..	EL	19,0	9,0	13,6	5,0	23,2	13,8	7806870	1000
RB3-JT	A	8,5 UFW					-	-	-	-	-	-	-	9805710	500
RB3-KPT	A	GLATT/smooth				1 928 403 966	EL	16,5	7,0	10,3	2,0	20,0	10,6	7807652	1000
RB3-KPT	A	4,5				1 928 403 966	EL	16,5	7,0	10,3	2,0	20,0	10,6	7807623	1000
RB3-KPT	A	7,5	6			1 928 403 966	EL	16,5	7,0	10,3	2,0	20,0	10,6	7807625	1000
RB3-KPT	B	4,5	4,5			1 928 403 966	EL	16,5	7,0	10,3	2,0	20,0	10,6	7807071	1000
RB3-KPT	B	7,5	6			1 928 403 966	EL	16,5	7,0	10,3	2,0	20,0	10,6	7807608	1000
RB3-KPT	C	4,5	4,5			1 928 403 966	EL	16,5	7,0	10,3	2,0	20,0	10,6	7807072	1000
RB3-KPT	C	7,5	6			1 928 403 966	EL	16,5	7,0	10,3	2,0	20,0	10,6	7807609	1000
RB42	A	GLATT/smooth				1 928 403 943	-	-	-	-	-	-	-	7807684	500
RB4-JT	B	7,5	6			1 928 402 5..	EL	24,0	9,8	-	5,0	28,5	14,0	7807694	100
RB4-KPT	A	4,5	4,5			1 928 403 736	EL	21,6	9,0	7,0	2,0	25,0	12,6	7807643	1000
RB4-KPT	A	7,5	6			1 928 403 736	EL	21,6	9,0	7,0	2,0	25,0	12,6	7807644	1000
RB4-KPT	B	4,5	4,5			1 928 403 736	EL	21,6	9,0	7,0	2,0	25,0	12,6	7807810	1000
RB4-KPT	B	7,5	6			1 928 403 736	EL	21,6	9,0	7,0	2,0	25,0	12,6	7807776	1000
RB4-KPT	C	4,5	4,5			1 928 403 736	EL	21,6	9,0	7,0	2,0	25,0	12,6	7806864	1000
RB4-KPT	C	7,5	6			1 928 403 736	EL	21,6	9,0	7,0	2,0	25,0	12,6	7807064	1000
RB5	B	4,5	4,5			1 928 A00	RE	17,0	19,5	2,0	2,0	13,6	16,4	7807727	1000
RB5	B	7,5	6			1 928 A00	RE	17,0	19,5	2,0	2,0	13,6	16,4	7807729	1000
RB5-KPT	A	4,5	4,5			1 928 403 738	EL	26,6	9,0	7,0	2,0	30,1	12,6	7807186	1000
RB5-KPT	A	7,5	6			1 928 403 738	EL	26,6	9,0	7,0	2,0	30,1	12,6	7807179	1000
RB5-KPT	B	7,5	6			1 928 403 738	EL	26,6	9,0	7,0	2,0	30,1	12,6	7807073	1000

Stecker	Form	Anschluss Normal + UFW	NW AHW	High Flex	Zusatz	Stecker-Nr.	Form	Hauptabmaße						Art.-Nr.	VE Stck.
Connector	Form	Contour normal + UFW	NW AHW	High Flex	Feature	Connector No.	Form	Main Dimensions	Ps	La	Ba	Art. no.	PU pcs.		
								Ls	Bs	Hs	Ps	La	Ba		
RB5-KPT	C	7,5	6			1 928 403 738	EL	26,6	9,0	7,0	2,0	30,1	12,6	7807074	1000
RB6-KPT	C	7,5	6			1 928 403 740	EL	31,4	8,8	7,4	2,0	35,0	12,5	7807183	1000
RB89	A	22	19			1 928 404 184	RD	-	-	-	-	-	-	7807177	500
RB89	D	26	26			1 928 404 184	RD	-	-	-	-	-	-	7807404	1000
SA21	A	10	8,5			-	RD	19,4	19,4	-	-	21,5	21,5	7807263	100
SA21	A	4,5	4,5			-	RD	19,4	19,4	-	-	21,5	21,5	7807666	1000
SA21	A	8,5				-	RD	19,4	19,4	-	-	21,5	21,5	7807266	500
SA21	A	8,5			NEU/NEW	-	RD	19,4	19,4	-	-	21,5	21,5	7807665	500
SA21	D	10	8,5			-	RD	19,4	19,4	-	-	21,5	21,5	7807265	100
SA21	D	4,5	4,5			-	RD	19,4	19,4	-	-	21,5	21,5	7807668	1000
SIEM28/52	B			19		V23542-C1028-B300	-	-	-	-	-	-	-	7807180	500
SUM2	A	7,5			45°	6189-0786	-	-	-	-	-	-	-	7807626	1000
TYCO2	A	GLATT/smooth				1813029-1	RR	-	-	-	-	-	-	7806629	100
TYCO2	A	4,5	4,5			-	-	-	-	-	-	-	-	7806073	100
TYCO2-MCP	A	8,5 UFW				-	-	-	-	-	-	-	-	7806630	a.A/o.r.
TYCO3	B	7,5	6			-	-	-	-	-	-	-	-	7806072	500
DRUCKFÜHLER-NW 7,5	-	7,5	6			-	-	-	-	-	-	-	-	7807639	250

2.3

Winkelstück

Angle-piece



Anschluss Normal + UFW	NW AHW	Zusatz	kombinierbar mit Schutzkappe	Form	Hauptabmaße						Art.-Nr.	VE Stck.
Contour normal + UFW	NW AHW	Feature	useable with connector interface	Form	Main Dimensions	Hs	Ps	La	Ba	Art. no.	PU pcs.	
					Ls	Bs	Hs	Ps	La	Ba		
4,5	4,5		7807656, 7807790 7807652, 7807791 7807651, 7807792 7807695, 7806590	RD	8,8	8,8	-	1,0	10,5	10,5	7807642	1000
7,5	6		7807656, 7807790 7807652, 7807791 7807651, 7807792 7807695, 7806590	RD	8,8	8,8	-	1,0	10,5	10,5	7807690	1000
4,5	4,5		7807656, 7807790 7807652, 7807791 7807651, 7807792 7807695, 7806590	RD	8,8	8,8	-	1,0	10,5	10,5	7806759	1000
4,5	4,5	180°	7807656, 7807790 7807652, 7807791 7807651, 7807792 7807695, 7806590	RD	8,5	8,5	2,5	1,0	11,1	11,1	7807834	100